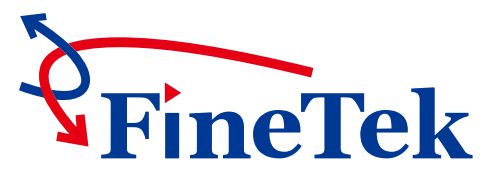




## Pressure Switch



[www.fine-tek.com](http://www.fine-tek.com)



# SQ24 SPST TYPE



TYPE	SQ245 Series			SQ246 Series			SQ24U Series		
Hex length	24mm			24mm			24mm		
Body material	Zinc-Plated Steel ROHS			SUS316			Brass		
Wiring	Screw	Push-on	Spade Terminal	Screw	Push-on	Spade Terminal	Screw	Push-on	Spade Terminal
Contact rating (Max.)	4A/ 50Vdc, 4A/ 250Vac			4A/ 50Vdc, 4A/ 250Vac			4A/ 50Vdc, 4A/ 250Vac		
Response frequency	2Hz			2Hz			2Hz		
Max. Voltage peak	1.5KV (IEC60947-2)			1.5KV (IEC60947-2)			1.5KV (IEC60947-2)		
Electric insulation	100MΩ(IEC60092-54 section3)			100MΩ(IEC60092-54 section3)			100MΩ(IEC60092-54 section3)		
Membrane materials/ Operation temperature	NBR(Standard)	-10~100°C		NBR(Standard)	-10~100°C		NBR(Standard)	-10~100°C	
	VITON	-10~100°C		VITON	-10~100°C		VITON	-10~100°C	
	EPDM	-10~100°C		EPDM	-10~100°C		EPDM	-10~100°C	
	NBR(Low Temp.)	-30~100°C		NBR(Low Temp.)	-30~100°C		NBR(Low Temp.)	-30~100°C	
	VITON(Low Temp.)	-30~100°C		VITON(Low Temp.)	-30~100°C		VITON(Low Temp.)	-30~100°C	
	EPDM(Low Temp.)	-30~100°C		EPDM(Low Temp.)	-30~100°C		EPDM(Low Temp.)	-30~100°C	
Pressure range	0.2~99bar (≤20bar with UL certification)			0.2~99bar (≤20bar with UL certification)			0.2~99bar (≤20bar with UL certification)		
Piping selection	M10*1 (taper) M10*1, M12*1.5 PT1/8", PT1/4" G1/8", G1/4" NPT 1/8", NPT 1/4"			M10*1 (taper) M10*1, M12*1.5 PT1/8", PT1/4" G1/8", G1/4" NPT 1/8", NPT 1/4"			M10*1 (taper) M10*1, M12*1.5 PT1/8", PT1/4" G1/8", G1/4" NPT 1/8", NPT 1/4"		
Contact model	NO, NC			NO, NC			NO, NC		
Protection	IP67 ( IEC 60529)			IP67 ( IEC 60529)			IP67 ( IEC 60529)		
Mechanical life	1.5X10 <sup>6</sup> cycles (in 50 bar)			1.5X10 <sup>6</sup> cycles (in 50 bar)			1.5X10 <sup>6</sup> cycles (in 50 bar)		
Screw torque	<0.35Nm			<0.35Nm			<0.35Nm		
Shock resistance	ISO / IEC 17025, Half Sine Wave, Acceleration: 30G@14ms, ±X, ±Y, ±Z axis			ISO / IEC 17025, Half Sine Wave, Acceleration: 30G@14ms, ±X, ±Y, ±Z axis			ISO / IEC 17025, Half Sine Wave, Acceleration: 30G@14ms, ±X, ±Y, ±Z axis		
Vibration resistance	ISO / IEC 17025, Sine Wave, 5-200 Hz, Acceleration: 10G, Displacement: 16 mm, Sweeping Rate: 1 Oct/ min, Test Direction: X, Y, Z axis, Test Time: 1hr for each			ISO / IEC 17025, Sine Wave, 5-200 Hz, Acceleration: 10G, Displacement: 16 mm, Sweeping Rate: 1 Oct/ min, Test Direction: X, Y, Z axis, Test Time: 1hr for each			ISO / IEC 17025, Sine Wave, 5-200 Hz, Acceleration: 10G, Displacement: 16 mm, Sweeping Rate: 1 Oct/ min, Test Direction: X, Y, Z axis, Test Time: 1hr for each		

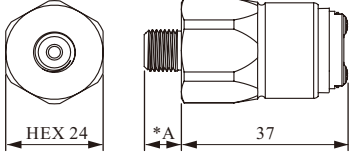
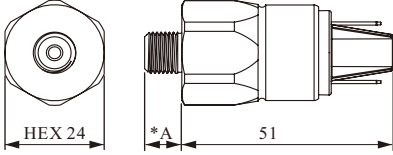
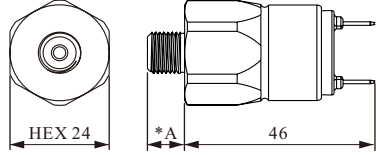
Feature
<ul style="list-style-type: none"> <li>■ Robust In Any Severe Application</li> <li>■ Customized Body Housing (steel, Sus316, Brass)</li> <li>■ Selectable Contact (Gold Contact or Silver Contact)</li> <li>■ Screw / Push-on Terminal Contact Selectable</li> <li>■ High Quality And Cost Effective</li> <li>■ Adjustable Pressure Range Setting</li> </ul>

Application
<ul style="list-style-type: none"> <li>■ Pressure Detection For Automobile Braking System</li> <li>■ Pressure Control For Piping System</li> <li>■ Hydraulic Detection For Fire Fighting System</li> <li>■ Hydraulic Industry</li> <li>■ Lubrication System</li> <li>■ Sprinkler System</li> <li>■ Air Compressor</li> <li>■ Medical Equipment</li> <li>■ Tire Manufacturing</li> </ul>

# ORDER INFORMATION

**Product Dimension**

**SQ245/ 246/ 24U Series**

**Screw:**  **Push-on:**  **Spade:** 

\*A 9mm: M10\*1 taper, M10, G1/8", PT1/8", NPT 1/8"    12mm: M12\*1.5, G1/4", PT1/4", NPT 1/4"

(Unit: mm)

## SQ24 Series Field Adjustable Pressure

※ ≤20bar with UL certification

Pressure range	Tolerance	Connection	
0.2~0.9bar	± 0.1 bar	M10X1 (taper)	SQ24 □-RS1 □-M1-□-□
		M10X1	SQ24 □-RS1 □-M0-□-□
		M12X1.5	SQ24 □-RS1 □-M2-□-□
		1/8"PT	SQ24 □-RS1 □-1Q-□-□
		1/4"PT	SQ24 □-RS1 □-2Q-□-□
		1/8"G	SQ24 □-RS1 □-1V-□-□
		1/4"G	SQ24 □-RS1 □-2V-□-□
		1/8"NPT	SQ24 □-RS1 □-1U-□-□
1~9.9bar	± 0.5 bar	1/4"NPT	SQ24 □-RS1 □-2U-□-□
		M10X1 (taper)	SQ24 □-RL1 □-M1-□-□
		M10X1	SQ24 □-RL1 □-M0-□-□
		M12X1.5	SQ24 □-RL1 □-M2-□-□
10~19bar	± 5%	1/8"PT	SQ24 □-RL1 □-1Q-□-□
		1/4"PT	SQ24 □-RL1 □-2Q-□-□
		1/8"G	SQ24 □-RL1 □-1V-□-□
		1/4"G	SQ24 □-RL1 □-2V-□-□
20~49bar	± 5%	1/8"NPT	SQ24 □-RL1 □-1U-□-□
		1/4"NPT	SQ24 □-RL1 □-2U-□-□
		M10X1 (taper)	SQ24 □-RM1 □-M1-□-□
		M10X1	SQ24 □-RM1 □-M0-□-□
		M12X1.5	SQ24 □-RM1 □-M2-□-□
		1/8"PT	SQ24 □-RM1 □-1Q-□-□
		1/4"PT	SQ24 □-RM1 □-2Q-□-□
		1/8"G	SQ24 □-RM1 □-1V-□-□
50~99bar	± 5%	1/4"G	SQ24 □-RM1 □-2V-□-□
		1/8"NPT	SQ24 □-RM1 □-1U-□-□
		1/4"NPT	SQ24 □-RM1 □-2U-□-□
		M10X1 (taper)	SQ24 □-RH1 □-M1-□-□
		M10X1	SQ24 □-RH1 □-M0-□-□
		M12X1.5	SQ24 □-RH1 □-M2-□-□
		1/8"PT	SQ24 □-RH1 □-1Q-□-□
		1/4"PT	SQ24 □-RH1 □-2Q-□-□
1/8"G	SQ24 □-RH1 □-1V-□-□		
1/4"G	SQ24 □-RH1 □-2V-□-□		
1/8"NPT	SQ24 □-RH1 □-1U-□-□		
1/4"NPT	SQ24 □-RH1 □-2U-□-□		

## SQ24 Series Fixed Pressure

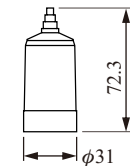
※ ≤20bar with UL certification

Connection	
M10X1 (taper)	SQ□□ □-□□□□-M1-□-□
M10X1	SQ□□ □-□□□□-M0-□-□
M12X1.5	SQ□□ □-□□□□-M2-□-□
1/8"PT	SQ□□ □-□□□□-1Q-□-□
1/4"PT	SQ□□ □-□□□□-2Q-□-□
1/8"G	SQ□□ □-□□□□-1V-□-□
1/4"G	SQ□□ □-□□□□-2V-□-□
1/8"NPT	SQ□□ □-□□□□-1U-□-□
1/4"NPT	SQ□□ □-□□□□-2U-□-□

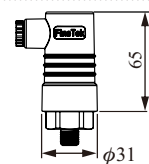
<b>Body Material</b>	5: Zinc-Plated steel 6: SUS316 U: Brass
<b>Pressure</b>	□□□ = 0 X 2 = 0.2Bar □□□ = 1 X 1 = 1.1Bar □□□ = 0 0 5 = 5Bar □□□ = 0 5 0 = 50Bar (0.2~0.9Bar) Tolerance 0.1Bar (1~9.9Bar) Tolerance 0.5Bar (10~99Bar) Tolerance 5%
<b>Contact Form</b>	A: NO    B: NC
<b>Diaphragm Material</b>	N: NBR    D: EPDM    V: VITON R: NBR(Low Temp.)    T: EPDM(Low Temp.) U: VITON(Low Temp.)
<b>Wiring</b>	W: Screw    P: Push-on    E: Spade Terminal

<b>Body Material</b>	5: Zinc-Plated Steel 6: SUS316 U: Brass
<b>Contact Form</b>	A: NO    B: NC
<b>Diaphragm Material</b>	N: NBR    D: EPDM    V: VITON    R: NBR(Low Temp.) T: EPDM(Low Temp.)    U: VITON(Low Temp.)
<b>Wiring</b>	W: Screw    P: Push-on    E: Spade Terminal

**Option:**  
Body Protect Cover: SQA-1130  
Material: NBR  
Protection Grade: IP67



Body Protect Cover: SQB-1136  
Material: Nylon  
Protection Grade: IP67  
★ Only SQ24 Push-on Type to use.



To comply with CE, SQ24 series need to add anti-dust cover. (SQA-1130, SQB-1136)

# SQ24 HIGH PRESSURE SPST TYPE

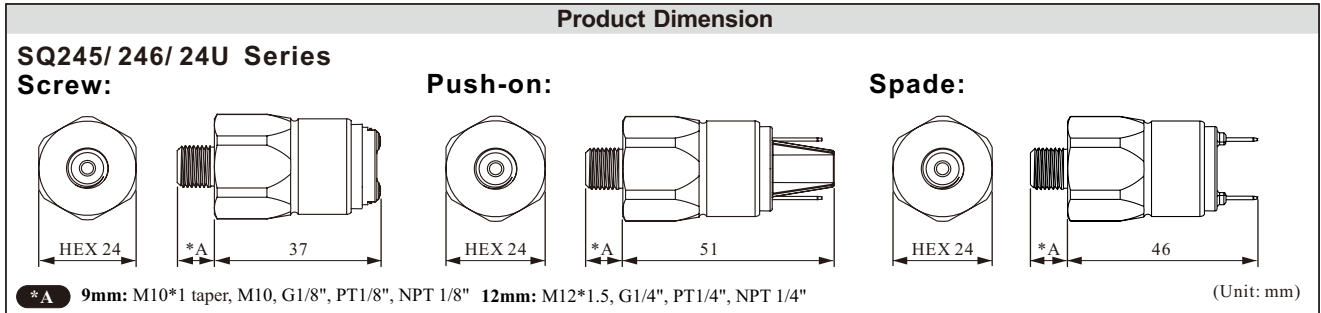


TYPE	SQ245 Series	SQ246 Series
<b>Hex Length</b>	24mm	24mm
<b>Body Material</b>	Zinc-Plated Steel ROHS	SUS316
<b>Wiring</b>	Screw   Push-on   Spade Terminal	Screw   Push-on   Spade Terminal
<b>Contact rating (Max.)</b>	4A/ 50Vdc, 4A/ 250Vac	4A/ 50Vdc, 4A/ 250Vac
<b>Response Frequency</b>	2Hz	2Hz
<b>Max. Voltage Peak</b>	1.5KV (IEC60947-2)	1.5KV (IEC60947-2)
<b>Electric Insulation</b>	100MΩ(IEC60092-54 section3)	100MΩ(IEC60092-54 section3)
<b>Operation Temperature</b>	-10°C ~100°C (IEC 60068-2-2)	-10°C ~100°C (IEC 60068-2-2)
<b>Pressure Range</b>	100~300bar	100~300bar
<b>Pressure Acting Variation</b>	± 5% full set point range @20°C	± 5% full set point range @20°C
<b>Piping Selection</b>	M10*1 (taper) M10*1, M12*1.5 PT1/8", PT1/4" G1/8", G1/4" NPT 1/8", NPT 1/4"	M10*1 (taper) M10*1, M12*1.5 PT1/8", PT1/4" G1/8", G1/4" NPT 1/8", NPT 1/4"
<b>Contact Model</b>	NO, NC	NO, NC
<b>Body Protection</b>	IP00 ( IEC 60529)	IP00 ( IEC 60529)
<b>Protection</b>	IP67 ( IEC 60529)	IP67 ( IEC 60529)
<b>Mechanical Life</b>	1.5X10 <sup>6</sup> cycles (in 50 bar)	1.5X10 <sup>6</sup> cycles (in 50 bar)
<b>Screw Torque</b>	<0.35Nm	<0.35Nm
<b>Shock Resistance</b>	ISO / IEC 17025, Half Sine Wave, Acceleration: 30G@14ms, ±X, ±Y, ±Z axis	ISO / IEC 17025, Half Sine Wave, Acceleration: 30G@14ms, ±X, ±Y, ±Z axis
<b>Vibration Resistance</b>	ISO / IEC 17025, Sine Wave, 5-200 Hz, Acceleration: 10G, Displacement: 16 mm, Sweeping Rate: 1 Oct/ min, Test Direction: X, Y, Z axis, Test Time: 1hr for each	ISO / IEC 17025, Sine Wave, 5-200 Hz, Acceleration: 10G, Displacement: 16 mm, Sweeping Rate: 1 Oct/ min, Test Direction: X, Y, Z axis, Test Time: 1hr for each

Feature
<ul style="list-style-type: none"> <li>■ Robust In Any Severe Application</li> <li>■ Customized Body Housing (steel, Sus316, Brass)</li> <li>■ Selectable Contact (Gold Contact or Silver Contact)</li> <li>■ Screw / Push-on Terminal Contact Selectable</li> <li>■ High Quality And Cost Effective</li> <li>■ Adjustable Pressure Range Setting</li> </ul>

Application
<ul style="list-style-type: none"> <li>■ Pressure Detection For Automobile Braking System</li> <li>■ Pressure Control For Piping System</li> <li>■ Hydraulic Detection For Fire Fighting System</li> <li>■ Hydraulic Industry</li> <li>■ Lubrication System</li> <li>■ Sprinkler System</li> <li>■ Air Compressor</li> <li>■ Medical Equipment</li> <li>■ Tire Manufacturing</li> </ul>

# ORDER INFORMATION

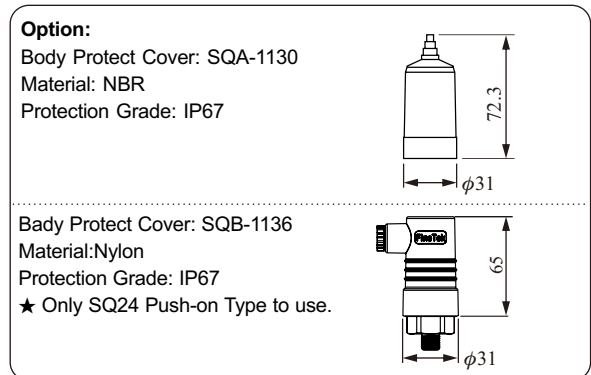


## SQ24 Series Field Adjustable Pressure

Pressure range	Tolerance	Connection	
100~300bar	± 5%	M10X1 (taper)	SQ24 □-RU1 □-M1 -A -□
		M10X1	SQ24 □-RU1 □-M0 -A -□
		M12X1.5	SQ24 □-RU1 □-M2 -A -□
		1/8"PT	SQ24 □-RU1 □-1Q -A -□
		1/4"PT	SQ24 □-RU1 □-2Q -A -□
		1/8"G	SQ24 □-RU1 □-1V -A -□
		1/4"G	SQ24 □-RU1 □-2V -A -□
		1/8"NPT	SQ24 □-RU1 □-1U -A -□
		1/4"NPT	SQ24 □-RU1 □-2U -A -□
<b>Body Material</b>	5: Zinc-Plated Steel 6: SUS316		
<b>Contact Form</b>	A: NO                      B: NC		
<b>Wiring</b>	W: Screw                  P: Push-on                  E: Spade Terminal		

## SQ24 Series Fixed Pressure

Connection	
M10X1 (taper)	SQ□□ □ -□□□□ □-M1 -A -□
M10X1	SQ□□ □ -□□□□ □-M0 -A -□
M12X1.5	SQ□□ □ -□□□□ □-M2 -A -□
1/8"PT	SQ□□ □ -□□□□ □-1Q -A -□
1/4"PT	SQ□□ □ -□□□□ □-2Q -A -□
1/8"G	SQ□□ □ -□□□□ □-1V -A -□
1/4"G	SQ□□ □ -□□□□ □-2V -A -□
1/8"NPT	SQ□□ □ -□□□□ □-1U -A -□
1/4"NPT	SQ□□ □ -□□□□ □-2U -A -□
<b>Body Material</b>	5: Zinc-Plated steel 6: SUS316
<b>Pressure</b>	□□□= 100=100Bar (100~300Bar ) Tolerance 5%
<b>Wiring</b>	A: NO                      B: NC
<b>Contact Form</b>	W: Screw                  P: Push-on                  E: Spade Terminal



To comply with CE, SQ24 series need to add anti-dust cover. (SQA-1130, SQB-1136)

# SQ27 SPDT TYPE



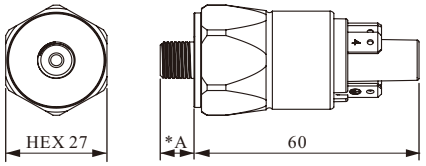
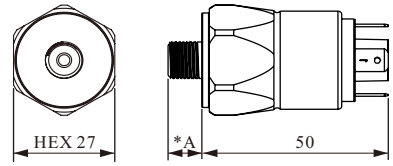
TYPE	SQ275 Series		SQ276 Series		SQ27U Series	
<b>Hex Length</b>	27mm		27mm		27mm	
<b>Body Material</b>	Zinc-Plated Steel		SUS316		Brass	
<b>Wiring</b>	Push-on	Spade Terminal	Push-on	Spade Terminal	Push-on	Spade Terminal
<b>Contact rating (Max.)</b>	2A/ 50Vdc, 4A/ 250Vac		2A/ 50Vdc, 4A/ 250Vac		2A/ 50Vdc, 4A/ 250Vac	
<b>Response Frequency</b>	2Hz		2Hz		2Hz	
<b>Max. Voltage Peak</b>	1.5KV (IEC60947-2)		1.5KV (IEC60947-2)		1.5KV (IEC60947-2)	
<b>Electric Insulation</b>	100MΩ(IEC60092-54 section3)		100MΩ(IEC60092-54 section3)		100MΩ(IEC60092-54 section3)	
<b>Membrane materials/ Operation temperature</b>	NBR(Standard) -10~100°C VITON -10~100°C EPDM -10~100°C NBR(Low Temp.) -30~100°C VITON(Low Temp.) -30~100°C EPDM(Low Temp.) -30~100°C		NBR(Standard) -10~100°C VITON -10~100°C EPDM -10~100°C NBR(Low Temp.) -30~100°C VITON(Low Temp.) -30~100°C EPDM(Low Temp.) -30~100°C		NBR(Standard) -10~100°C VITON -10~100°C EPDM -10~100°C NBR(Low Temp.) -30~100°C VITON(Low Temp.) -30~100°C EPDM(Low Temp.) -30~100°C	
<b>Pressure Range</b>	0.3~100bar (≤20bar with UL certification)		0.3~100bar (≤20bar with UL certification)		0.3~100bar (≤20bar with UL certification)	
<b>Piping Selection</b>	M10*1 (taper) M10*1, M12*1.5 PT1/8", PT1/4" G1/8", G1/4" NPT 1/8", NPT 1/4"		M10*1 (taper) M10*1, M12*1.5 PT1/8", PT1/4" G1/8", G1/4" NPT 1/8", NPT 1/4"		M10*1 (taper) M10*1, M12*1.5 PT1/8", PT1/4" G1/8", G1/4" NPT 1/8", NPT 1/4"	
<b>Contact Model</b>	SPDT		SPDT		SPDT	
<b>Body Protection</b>	IP00 ( IEC 60529)		IP00 ( IEC 60529)		IP00 ( IEC 60529)	
<b>Protection</b>	IP65 ( IEC 60529)		IP65 ( IEC 60529)		IP65 ( IEC 60529)	
<b>Mechanical Life</b>	1.5X10 <sup>6</sup> cycles (in 50 bar)		1.5X10 <sup>6</sup> cycles (in 50 bar)		1.5X10 <sup>6</sup> cycles (in 50 bar)	
<b>Screw Torque</b>	<0.35Nm		<0.35Nm		<0.35Nm	
<b>Shock Resistance</b>	ISO / IEC 17025, Half Sine Wave, Acceleration: 30G@14ms, ±X, ±Y, ±Z axis		ISO / IEC 17025, Half Sine Wave, Acceleration: 30G@14ms, ±X, ±Y, ±Z axis		ISO / IEC 17025, Half Sine Wave, Acceleration: 30G@14ms, ±X, ±Y, ±Z axis	
<b>Vibration Resistance</b>	ISO / IEC 17025, Sine Wave, 5-200 Hz, Acceleration: 10G, Displacement: 16 mm, Sweeping Rate: 1 Oct/ min, Test Direction: X, Y, Z axis, Test Time: 1hr for each		ISO / IEC 17025, Sine Wave, 5-200 Hz, Acceleration: 10G, Displacement: 16 mm, Sweeping Rate: 1 Oct/ min, Test Direction: X, Y, Z axis, Test Time: 1hr for each		ISO / IEC 17025, Sine Wave, 5-200 Hz, Acceleration: 10G, Displacement: 16 mm, Sweeping Rate: 1 Oct/ min, Test Direction: X, Y, Z axis, Test Time: 1hr for each	

Feature
<ul style="list-style-type: none"> <li>■ Robust In Any Severe Application</li> <li>■ Customized Body Housing (steel, Sus316, Brass)</li> <li>■ Selectable Contact (gold Contact Or Silver Contact)</li> <li>■ Screw / Push-on Terminal Contact Selectable</li> <li>■ High Quality And Cost Effective</li> <li>■ Adjustable Pressure Range Setting</li> </ul>

Application
<ul style="list-style-type: none"> <li>■ Pressure Detection For Automobile Braking System</li> <li>■ Pressure Control For Piping System</li> <li>■ Hydraulic Detection For Fire Fighting System</li> <li>■ Hydraulic Industry</li> <li>■ Lubrication System</li> <li>■ Sprinkler System</li> <li>■ Air Compressor</li> <li>■ Medical Equipment</li> <li>■ Tire Manufacturing</li> </ul>

# ORDER INFORMATION

**Product Dimension**

**SQ275/ 276/ 27U Series**  
**Push-on:**  **Spade:** 

**\*A** 9mm: M10\*1 taper, M10, G1/8", PT1/8", NPT 1/8" 12mm: M12\*1.5, G1/4", PT1/4", NPT 1/4" (Unit: mm)

## SQ27 Series Field Adjustable Pressure

※ ≤20bar with UL certification

Pressure range	Tolerance	Connection	
0.3~0.9bar	± 0.1 bar	M10X1 (taper)	SQ27 □-RS1 □-M1-□-□
		M10X1	SQ27 □-RS1 □-M0-□-□
		M12X1.5	SQ27 □-RS1 □-M2-□-□
		1/8"PT	SQ27 □-RS1 □-1Q-□-□
		1/4"PT	SQ27 □-RS1 □-2Q-□-□
		1/8"G	SQ27 □-RS1 □-1V-□-□
		1/4"G	SQ27 □-RS1 □-2V-□-□
		1/8"NPT	SQ27 □-RS1 □-1U-□-□
		1/4"NPT	SQ27 □-RS1 □-2U-□-□
1~9.9bar	± 0.5 bar	M10X1 (taper)	SQ27 □-RL1 □-M1-□-□
		M10X1	SQ27 □-RL1 □-M0-□-□
		M12X1.5	SQ27 □-RL1 □-M2-□-□
		1/8"PT	SQ27 □-RL1 □-1Q-□-□
10~19bar	± 5%	1/4"PT	SQ27 □-RL1 □-2Q-□-□
		1/8"G	SQ27 □-RL1 □-1V-□-□
		1/4"G	SQ27 □-RL1 □-2V-□-□
20~49bar	± 5%	1/8"NPT	SQ27 □-RL1 □-1U-□-□
		1/4"NPT	SQ27 □-RL1 □-2U-□-□
		M10X1 (taper)	SQ27 □-RM1 □-M1-□-□
		M10X1	SQ27 □-RM1 □-M0-□-□
		M12X1.5	SQ27 □-RM1 □-M2-□-□
		1/8"PT	SQ27 □-RM1 □-1Q-□-□
		1/4"PT	SQ27 □-RM1 □-2Q-□-□
50~100bar	± 5%	1/8"G	SQ27 □-RM1 □-1V-□-□
		1/4"G	SQ27 □-RM1 □-2V-□-□
		1/8"NPT	SQ27 □-RM1 □-1U-□-□
		1/4"NPT	SQ27 □-RM1 □-2U-□-□
		M10X1 (taper)	SQ27 □-RH1 □-M1-□-□
		M10X1	SQ27 □-RH1 □-M0-□-□
		M12X1.5	SQ27 □-RH1 □-M2-□-□
		1/8"PT	SQ27 □-RH1 □-1Q-□-□

## SQ27 Series Fixed Pressure

※ ≤20bar with UL certification

Connection	
M10X1 (taper)	SQ27 □-□□□□-M1-□-□
M10X1	SQ27 □-□□□□-M0-□-□
M12X1.5	SQ27 □-□□□□-M2-□-□
1/8"PT	SQ27 □-□□□□-1Q-□-□
1/4"PT	SQ27 □-□□□□-2Q-□-□
1/8"G	SQ27 □-□□□□-1V-□-□
1/4"G	SQ27 □-□□□□-2V-□-□
1/8"NPT	SQ27 □-□□□□-1U-□-□
1/4"NPT	SQ27 □-□□□□-2U-□-□

<b>Body Material</b>	5: Zinc-Plated Steel 6: SUS316 U: Brass
<b>Pressure</b>	□□□ = 0 X 2 = 0.2Bar □□□ = 1 X 1 = 1.1Bar □□□ = 0 0 5 = 5Bar □□□ = 0 5 0 = 50Bar (0.3~0.9Bar) Tolerance 0.1Bar (1~9.9Bar) Tolerance 0.5Bar (10~100Bar) Tolerance 5%
<b>Contact Form</b>	C: SPDT
<b>Diaphragm Material</b>	N: NBR D: EPDM V: VITON R: NBR(Low Temp.) T: EPDM(Low Temp.) U: VITON(Low Temp.)
<b>Wiring</b>	P: Push-on E: Spade Terminal

<b>Body Material</b>	5: Zinc-Plated Steel 6: SUS316 U: Brass
<b>Contact Form</b>	C: SPDT
<b>Diaphragm Material</b>	N: NBR D: EPDM V: VITON R: NBR(Low Temp.) T: EPDM(Low Temp.) U: VITON(Low Temp.)
<b>Wiring</b>	P: Push-on E: Spade Terminal

# SQ27 DIN TYPE



TYPE	SQ275 Series	SQ276 Series	SQ27U Series
<b>Hex Length</b>	27mm	27mm	27mm
<b>Body Material</b>	Zinc-Plated Steel ROHS	SUS316	Brass
<b>Contact rating (Max.)</b>	2A/ 50Vdc, 4A/ 250Vac	2A/ 50Vdc, 4A/ 250Vac	2A/ 50Vdc, 4A/ 250Vac
<b>Response Frequency</b>	2Hz	2Hz	2Hz
<b>Max. Voltage Peak</b>	1.5KV (IEC60947-2)	1.5KV (IEC60947-2)	1.5KV (IEC60947-2)
<b>Electric Insulation</b>	100MΩ(IEC60092-54 section3)	100MΩ(IEC60092-54 section3)	100MΩ(IEC60092-54 section3)
<b>Membrane materials/ Operation temperature</b>	NBR(Standard) -10~100°C VITON -10~100°C EPDM -10~100°C NBR(Low Temp.) -30~100°C VITON(Low Temp.) -30~100°C EPDM(Low Temp.) -30~100°C	NBR(Standard) -10~100°C VITON -10~100°C EPDM -10~100°C NBR(Low Temp.) -30~100°C VITON(Low Temp.) -30~100°C EPDM(Low Temp.) -30~100°C	NBR(Standard) -10~100°C VITON -10~100°C EPDM -10~100°C NBR(Low Temp.) -30~100°C VITON(Low Temp.) -30~100°C EPDM(Low Temp.) -30~100°C
<b>Pressure Range</b>	0.3~100bar (≤20bar with UL certification)	0.3~100bar (≤20bar with UL certification)	0.3~100bar (≤20bar with UL certification)
<b>Piping Selection</b>	M10*1 (taper) M10*1, M12*1.5 PT1/8", PT1/4" G1/8", G1/4" NPT 1/8", NPT 1/4"	M10*1 (taper) M10*1, M12*1.5 PT1/8", PT1/4" G1/8", G1/4" NPT 1/8", NPT 1/4"	M10*1 (taper) M10*1, M12*1.5 PT1/8", PT1/4" G1/8", G1/4" NPT 1/8", NPT 1/4"
<b>Contact Model</b>	SPDT	SPDT	SPDT
<b>Protection</b>	IP65 ( IEC 60529)	IP65 ( IEC 60529)	IP65 ( IEC 60529)
<b>Mechanical Life</b>	1.5X10 <sup>6</sup> cycles (in 50 bar)	1.5X10 <sup>6</sup> cycles (in 50 bar)	1.5X10 <sup>6</sup> cycles (in 50 bar)
<b>Screw Torque</b>	<0.35Nm	<0.35Nm	<0.35Nm
<b>Shock Resistance</b>	ISO / IEC 17025, Half Sine Wave, Acceleration: 30G@14ms, ±X, ±Y, ±Z axis	ISO / IEC 17025, Half Sine Wave, Acceleration: 30G@14ms, ±X, ±Y, ±Z axis	ISO / IEC 17025, Half Sine Wave, Acceleration: 30G@14ms, ±X, ±Y, ±Z axis
<b>Vibration Resistance</b>	ISO / IEC 17025, Sine Wave, 5-200 Hz, Acceleration: 10G, Displacement: 16 mm, Sweeping Rate: 1 Oct/ min, Test Direction: X, Y, Z axis, Test Time: 1hr for each	ISO / IEC 17025, Sine Wave, 5-200 Hz, Acceleration: 10G, Displacement: 16 mm, Sweeping Rate: 1 Oct/ min, Test Direction: X, Y, Z axis, Test Time: 1hr for each	ISO / IEC 17025, Sine Wave, 5-200 Hz, Acceleration: 10G, Displacement: 16 mm, Sweeping Rate: 1 Oct/ min, Test Direction: X, Y, Z axis, Test Time: 1hr for each

Feature
<ul style="list-style-type: none"> <li>■ Robust In Any Severe Application</li> <li>■ Customized Body Housing (steel, Sus316, Brass)</li> <li>■ Selectable Contact (Gold Contact or Silver Contact)</li> <li>■ Screw / Push-on Terminal Contact Selectable</li> <li>■ High Quality And Cost Effective</li> <li>■ Adjustable Pressure Range Setting</li> </ul>

Application
<ul style="list-style-type: none"> <li>■ Pressure Detection For Automobile Braking System</li> <li>■ Pressure Control For Piping System</li> <li>■ Hydraulic Detection For Fire Fighting System</li> <li>■ Hydraulic Industry</li> <li>■ Lubrication System</li> <li>■ Sprinkler System</li> <li>■ Air Compressor</li> <li>■ Medical Equipment</li> <li>■ Tire Manufacturing</li> </ul>

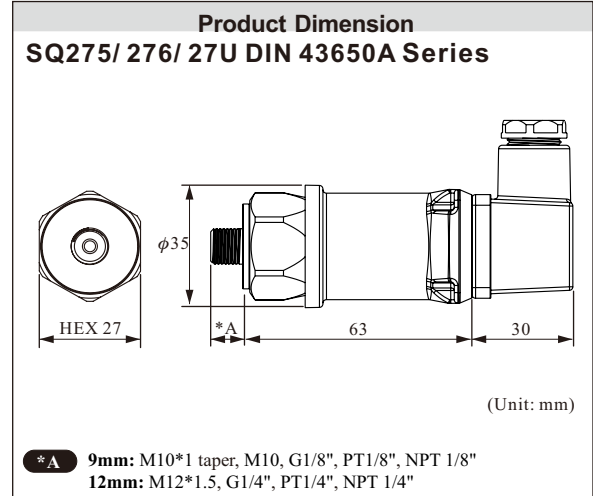
# ORDER INFORMATION

## SQ27 DIN Series Field Adjustable Pressure

※ ≤20bar with UL certification

Pressure range	Tolerance	Connection	
0.3~0.9bar	± 0.1 bar	M10X1 (taper)	SQ27 □-RS1 □-M1-□-□
		M10X1	SQ27 □-RS1 □-M0-□-□
		M12X1.5	SQ27 □-RS1 □-M2-□-□
		1/8"PT	SQ27 □-RS1 □-1Q-□-□
		1/4"PT	SQ27 □-RS1 □-2Q-□-□
		1/8"G	SQ27 □-RS1 □-1V-□-□
		1/4"G	SQ27 □-RS1 □-2V-□-□
		1/8"NPT	SQ27 □-RS1 □-1U-□-□
1~9.9bar	± 0.5 bar	M10X1 (taper)	SQ27 □-RL1 □-M1-□-□
		M10X1	SQ27 □-RL1 □-M0-□-□
		M12X1.5	SQ27 □-RL1 □-M2-□-□
		1/8"PT	SQ27 □-RL1 □-1Q-□-□
10~19bar	± 5%	1/4"PT	SQ27 □-RL1 □-2Q-□-□
		1/8"G	SQ27 □-RL1 □-1V-□-□
		1/4"G	SQ27 □-RL1 □-2V-□-□
		1/8"NPT	SQ27 □-RL1 □-1U-□-□
20~49bar	± 5%	1/4"NPT	SQ27 □-RL1 □-2U-□-□
		M10X1 (taper)	SQ27 □-RM1 □-M1-□-□
		M10X1	SQ27 □-RM1 □-M0-□-□
		M12X1.5	SQ27 □-RM1 □-M2-□-□
		1/8"PT	SQ27 □-RM1 □-1Q-□-□
		1/4"PT	SQ27 □-RM1 □-2Q-□-□
		1/8"G	SQ27 □-RM1 □-1V-□-□
		1/4"G	SQ27 □-RM1 □-2V-□-□
50~100bar	± 5%	1/8"NPT	SQ27 □-RM1 □-1U-□-□
		1/4"NPT	SQ27 □-RM1 □-2U-□-□
		M10X1 (taper)	SQ27 □-RH1 □-M1-□-□
		M10X1	SQ27 □-RH1 □-M0-□-□
		M12X1.5	SQ27 □-RH1 □-M2-□-□
		1/8"PT	SQ27 □-RH1 □-1Q-□-□
1/4"PT	± 5%	1/8"G	SQ27 □-RH1 □-1V-□-□
		1/4"G	SQ27 □-RH1 □-2V-□-□
		1/8"NPT	SQ27 □-RH1 □-1U-□-□
		1/4"NPT	SQ27 □-RH1 □-2U-□-□

<b>Body Material</b>	5: Zinc-Plated Steel 6: SUS316 U: Brass
<b>Contact Form</b>	C: SPDT
<b>Diaphragm Material</b>	N: NBR D: EPDM V: VITON R: NBR(Low Temp.) T: EPDM(Low Temp.) U: VITON(Low Temp.)
<b>Wiring</b>	C: DIN43650A



## SQ27 DIN Series Fixed Pressure

※ ≤20bar with UL certification

Connection	
M10X1 (taper)	SQ27 □-□□□□-M1-□-□
M10X1	SQ27 □-□□□□-M0-□-□
M12X1.5	SQ27 □-□□□□-M2-□-□
1/8"PT	SQ27 □-□□□□-1Q-□-□
1/4"PT	SQ27 □-□□□□-2Q-□-□
1/8"G	SQ27 □-□□□□-1V-□-□
1/4"G	SQ27 □-□□□□-2V-□-□
1/8"NPT	SQ27 □-□□□□-1U-□-□
1/4"NPT	SQ27 □-□□□□-2U-□-□

<b>Body Material</b>	5: Zinc-Plated Steel 6: SUS316 U: Brass
<b>Pressure</b>	□□□ = 0 X 2 = 0.2Bar □□□ = 1 X 1 = 1.1Bar □□□ = 0 0 5 = 5Bar □□□ = 0 5 0 = 50Bar (0.3~0.9Bar) Tolerance 0.1Bar (1~9.9Bar) Tolerance 0.5Bar (10~100Bar) Tolerance 5%
<b>Contact Form</b>	C: SPDT
<b>Diaphragm Material</b>	N: NBR D: EPDM V: VITON R: NBR(Low Temp.) T: EPDM(Low Temp.) U: VITON(Low Temp.)
<b>Wiring</b>	C: DIN43650A

# SQ24 WITH EXTENSION SOCKET

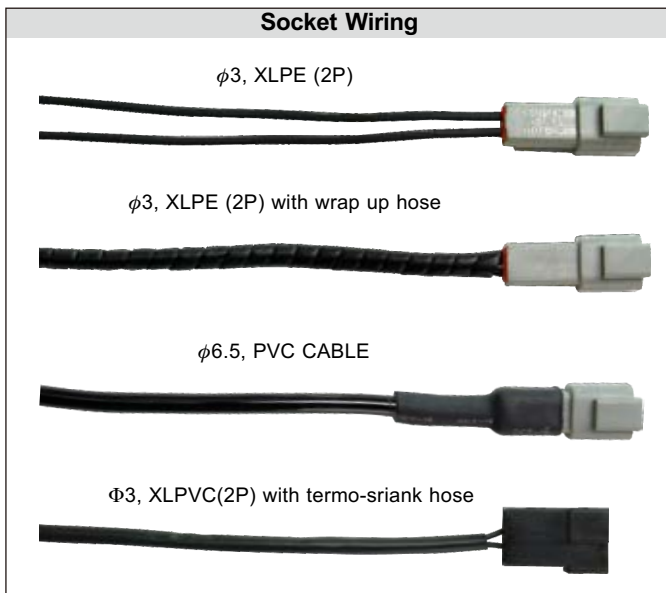
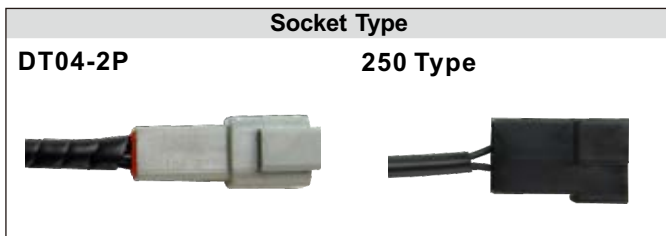
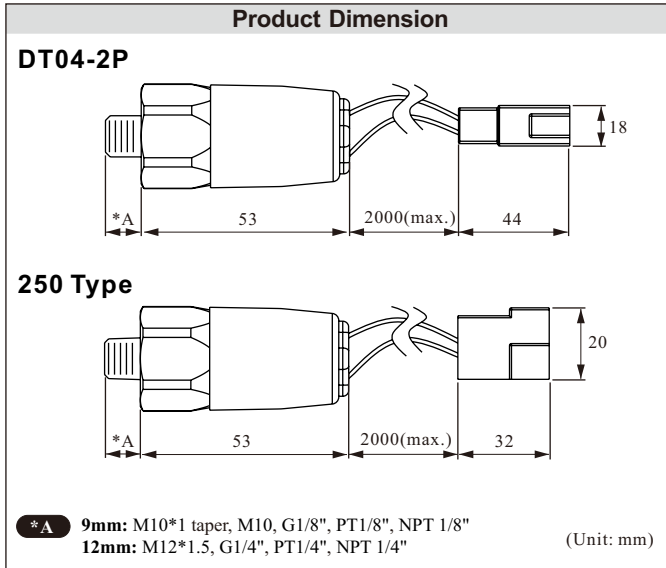


TYPE	SQ245 Series	SQ246 Series	SQ24U Series
<b>Hex Length</b>	24mm	24mm	24mm
<b>Body Material</b>	Zinc-Plated Steel	SUS316	Brass
<b>Wiring</b>	DT04-2P, 250 Type	DT04-2P, 250 Type	DT04-2P, 250 Type
<b>Contact rating (Max.)</b>	4A/ 50Vdc, 4A/ 250Vac	4A/ 50Vdc, 4A/ 250Vac	4A/ 50Vdc, 4A/ 250Vac
<b>Response Frequency</b>	2Hz	2Hz	2Hz
<b>Max. Voltage Peak</b>	1.5KV (IEC60947-2)	1.5KV (IEC60947-2)	1.5KV (IEC60947-2)
<b>Electric Insulation</b>	100MΩ(IEC60092-54 section3)	100MΩ(IEC60092-54 section3)	100MΩ(IEC60092-54 section3)
<b>Membrane materials/ Operation temperature</b>	NBR(Standard) -10~100°C VITON -10~100°C EPDM -10~100°C NBR(Low Temp.) -30~100°C VITON(Low Temp.) -30~100°C EPDM(Low Temp.) -30~100°C	NBR(Standard) -10~100°C VITON -10~100°C EPDM -10~100°C NBR(Low Temp.) -30~100°C VITON(Low Temp.) -30~100°C EPDM(Low Temp.) -30~100°C	NBR(Standard) -10~100°C VITON -10~100°C EPDM -10~100°C NBR(Low Temp.) -30~100°C VITON(Low Temp.) -30~100°C EPDM(Low Temp.) -30~100°C
<b>Pressure Range</b>	0.2~300bar	0.2~300bar	0.2~300bar
<b>Piping Selection</b>	M10*1 (taper) M10*1, M12*1.5 PT1/8", PT1/4" G1/8", G1/4" NPT 1/8", NPT 1/4"	M10*1 (taper) M10*1, M12*1.5 PT1/8", PT1/4" G1/8", G1/4" NPT 1/8", NPT 1/4"	M10*1 (taper) M10*1, M12*1.5 PT1/8", PT1/4" G1/8", G1/4" NPT 1/8", NPT 1/4"
<b>Contact Model</b>	NO, NC	NO, NC	NO, NC
<b>Protection</b>	IP67 ( IEC 60529)	IP67 ( IEC 60529)	IP67 ( IEC 60529)
<b>Mechanical Life</b>	1.5X10 <sup>6</sup> cycles (in 50 bar)	1.5X10 <sup>6</sup> cycles (in 50 bar)	1.5X10 <sup>6</sup> cycles (in 50 bar)
<b>Shock Resistance</b>	ISO / IEC 17025, Half Sine Wave, Acceleration: 30G@14ms, ±X, ±Y, ±Z axis	ISO / IEC 17025, Half Sine Wave, Acceleration: 30G@14ms, ±X, ±Y, ±Z axis	ISO / IEC 17025, Half Sine Wave, Acceleration: 30G@14ms, ±X, ±Y, ±Z axis
<b>Vibration Resistance</b>	ISO / IEC 17025, Sine Wave, 5-200 Hz, Acceleration: 10G, Displacement: 16 mm, Sweeping Rate: 1 Oct/ min, Test Direction: X, Y, Z axis, Test Time: 1hr for each	ISO / IEC 17025, Sine Wave, 5-200 Hz, Acceleration: 10G, Displacement: 16 mm, Sweeping Rate: 1 Oct/ min, Test Direction: X, Y, Z axis, Test Time: 1hr for each	ISO / IEC 17025, Sine Wave, 5-200 Hz, Acceleration: 10G, Displacement: 16 mm, Sweeping Rate: 1 Oct/ min, Test Direction: X, Y, Z axis, Test Time: 1hr for each

Feature
<ul style="list-style-type: none"> <li>■ Robust In Any Severe Application</li> <li>■ Customized Body Housing (steel, Sus316, Brass)</li> <li>■ Selectable Contact (gold Contact Or Silver Contact)</li> <li>■ Screw / Push-on Terminal Contact Selectable</li> <li>■ High Quality And Cost Effective</li> <li>■ Adjustable Pressure Range Setting</li> </ul>

Application
<ul style="list-style-type: none"> <li>■ Pressure Detection For Automobile Braking System</li> <li>■ Pressure Control For Piping System</li> <li>■ Hydraulic Detection For Fire Fighting System</li> <li>■ Hydraulic Industry</li> <li>■ Lubrication System</li> <li>■ Sprinkler System</li> <li>■ Air Compressor</li> <li>■ Medical Equipment</li> <li>■ Tire Manufacturing</li> </ul>

# ORDER INFORMATION



## SQ24 Series Fixed Pressure

Connection	
M10X1 (taper)	SQ24 □ - □ □ □ □ - M1 - □ - □ □
M10X1	SQ24 □ - □ □ □ □ - M0 - □ - □ □
M12X1.5	SQ24 □ - □ □ □ □ - M2 - □ - □ □
1/8"PT	SQ24 □ - □ □ □ □ - 1 Q - □ - □ □
1/4"PT	SQ24 □ - □ □ □ □ - 2 Q - □ - □ □
1/8"G	SQ24 □ - □ □ □ □ - 1 V - □ - □ □
1/4"G	SQ24 □ - □ □ □ □ - 2 V - □ - □ □
1/8"NPT	SQ24 □ - □ □ □ □ - 1 U - □ - □ □
1/4"NPT	SQ24 □ - □ □ □ □ - 2 U - □ - □ □

<b>Body Material</b>	5: Zinc-plating steel 6: SUS316 U: Brass
<b>Pressure</b>	□ □ □ = 0 X 2 = 0.2Bar □ □ □ = 1 X 1 = 1.1Bar □ □ □ = 0 0 5 = 5Bar □ □ □ = 0 5 0 = 50Bar (0.3~0.9Bar) Tolerance 0.1Bar (1~99Bar) Tolerance 5% (100~300Bar) Tolerance 5%
<b>Contact Form</b>	A: NO      B: NC
<b>Diaphragm Material</b>	N: NBR      D: EPDM V: VITON    R: NBR(Low Temp.) T: EPDM(Low Temp.) U: VITON(Low Temp.)
<b>Socket Type</b>	D: DT04-2P      A: 250 Type
<b>Socket Wiring</b>	A: φ3, XLPE (2P) B: φ3, XLPE (2P) with wrap up hose C: φ6.5, PVC CABLE D: φ3, XLPVC (2P) with termo-sriank hose